

# Off Grid LED Solar Bollard Light

# User Manual

RP-SBL-2W-40K-BK-G1



2W / 266 LM

RoHS CE FC  

# Product Information

Product Model	RP-SBL-2W-40K-BK-G1
Actual Power/ Lumen	1.8W / 196-266 LM
Dimension L x W x H	4.33 in * 47.24 in * 4.33 in
LED rated life	>50,000 HRS
LiFePO4 Battery	6.4V / 5AH
Solar Panel	9V / 3.5W Monocrystalline Solar Panel, Grade A
Working Mode	23 hrs. at 100% full brightness
Color Temperature	4000K
Material	6063 Aluminum + Polycarbonate
Charge Time	Around 8 hours of sunlight
Beam Angle	120°
IP Degree	IP65
Recommended Install Height	n/a
Weight	10.8 lbs
Warranty	3 YEARS
Packing	QTY/CTN: 1pc
Battery Charing Temp	Charging Temperature 32°F ~ 149°F Discharging Temperature -13°F ~ 140°F
Fixture Operating Temp	-13°F ~ 140°F

## Applications:

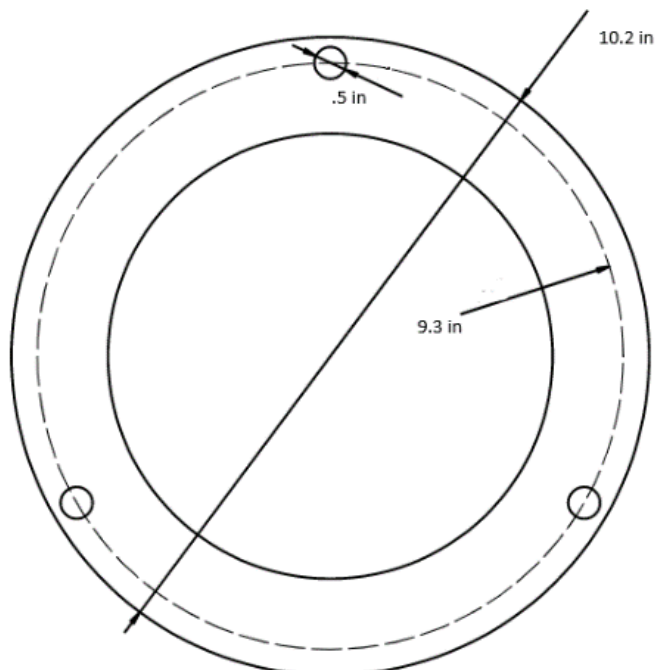
- Entrances
- Perimeters
- Schools
- Pathways

## Features:

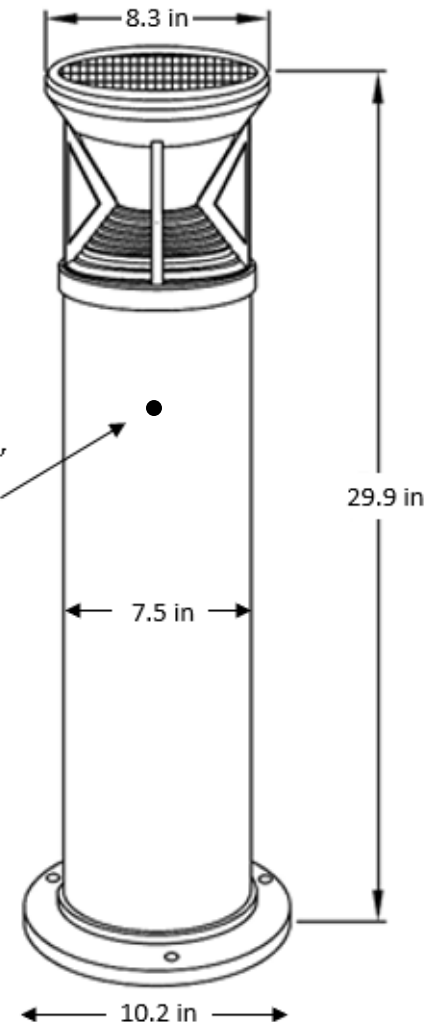
- Easy Installation w/ integrated design
- Battery can support 2-3 nights with cloudy days
- High Quality LED chips and Aluminum
- IP65 ingress rating

## Bracket Installation Instructions:

1. Drill mounting holes and place the wall anchors
2. Fix the two brackets on the sides of the fixture and then attach on the wall
3. Tighten the screws firmly
4. Turn on the switch



Pull out the waterproof plug, turn on the switch, and then put on the waterproof plug again.



## Special Note:

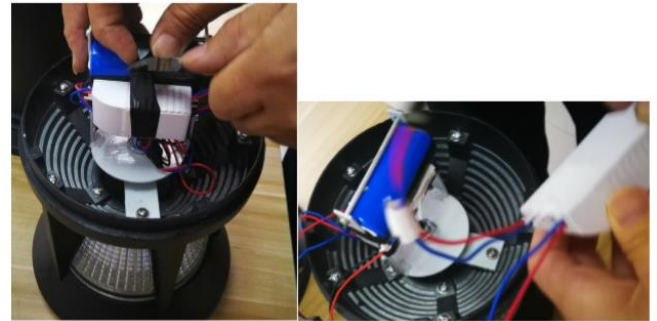
1. Do not install the lamp where no sunlight is available otherwise the lamp will have a hard time absorbing light. Do not install the lamp under a shadow or between two buildings.
2. Do not use the lamp in an environment with a temperature above 149 F° or below -4 F°, otherwise it will cause rapid attenuation of the battery and affect the batteries longevity or even damage.
3. In order to ensure that the lamp works in an ideal state over time, clean the solar panel lens every few months to clear dust and debris.
4. The fixture cannot work without sunshine
5. Do not use the lamp in an environment with a temperature above 149 F° or below -4 F°, otherwise it will cause rapid attenuation of the battery and affect the batteries longevity or even damage.
6. In order to ensure that the lamp works in an ideal state over time, clean the solar panel lens every few months to clear dust and debris.
7. If the lamp doesn't receive any charge for 3-5 days, the battery may be low or out of power, make sure that it receives enough sun during the day and that there isn't
8. According to the baseplate, punch the pole on the ground, and install the screws.
9. Due to high humidity and temperature differences between indoor and outdoor, there might be condensing drops inside the product. This is normal and does not affect normal use.

## Battery Replacement

3. Unscrew and take off the fixture head



2. Get rid of below tape, and remove controller



1. Disconnect BATT wire connector ONLY, unscrew the metal bracket, get rid of the black tape and replace with a new battery. Connect the BATT wires and fasten the controller, install the head accordingly.





